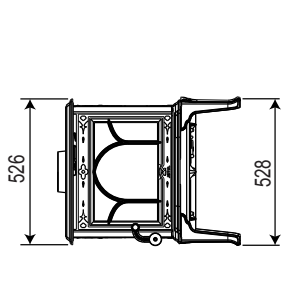
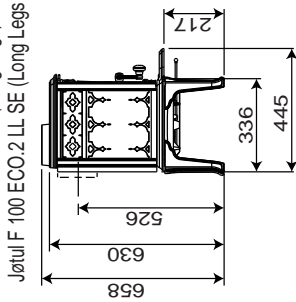


Fig. 1

Jøtul F 100 ECO.2



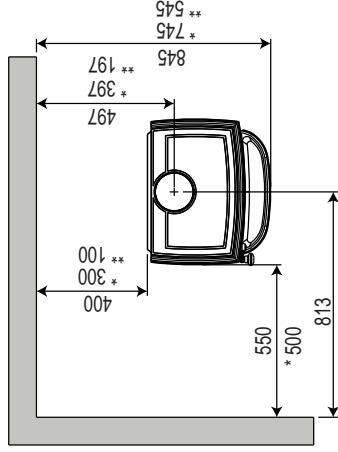
Jøtul F 100 ECO.2 LL (Long Legs)



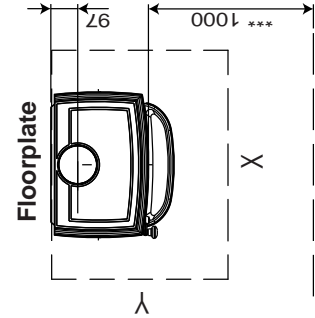
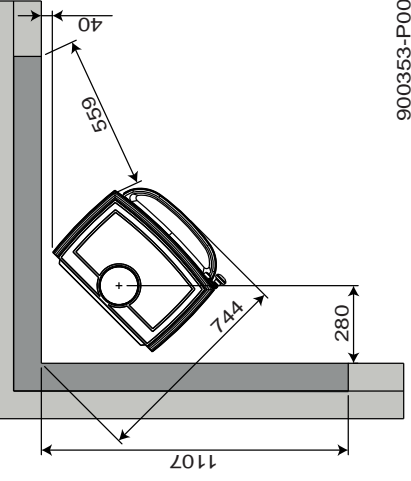
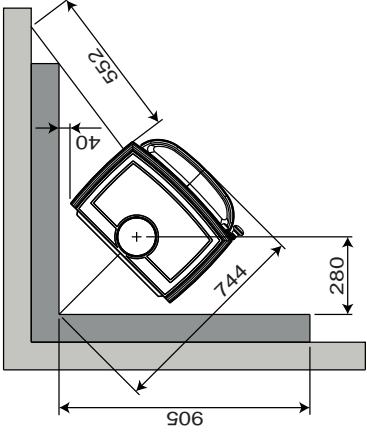
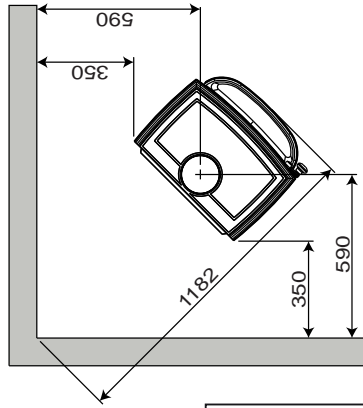
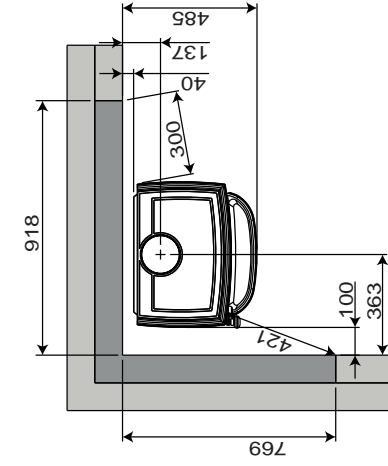
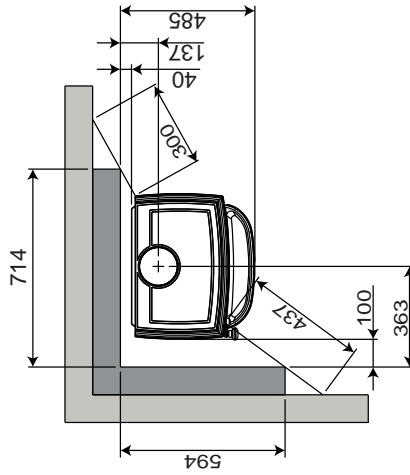
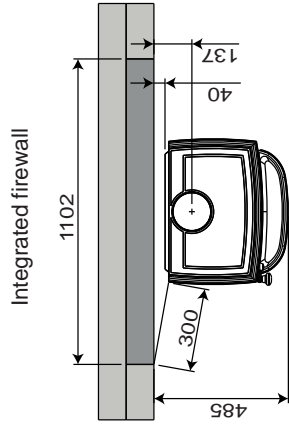
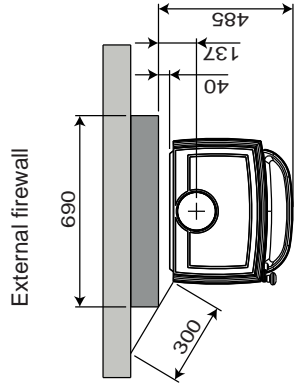
Jøtul F 100 ECO.2 LL SE (Long Legs and Special Edition)

\* With semi insulated flue pipe  
 \*\* With semi insulated flue pipe and extra hearthshield, rear

Min. distance to combustible wall



Min. distance to firewall

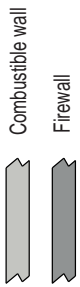


Floorplate

Min. measurements floorplate

X / Y= According to national laws and regulations

\*\*\* Min. distance to furniture / combustible material



Jøtul F 100 ECO.2 SL (Short Legs) and Jøtul F 100 ECO.2 SL SE (Short Legs and Special Edition) The short legged version (Jøtul F 100 ECO.2 SL) can only be installed on a constructional hearth which must have an extension of minimum 350 mm in front of the stove.

For further information please see:

Approved Document J2010 Section 2.22.

