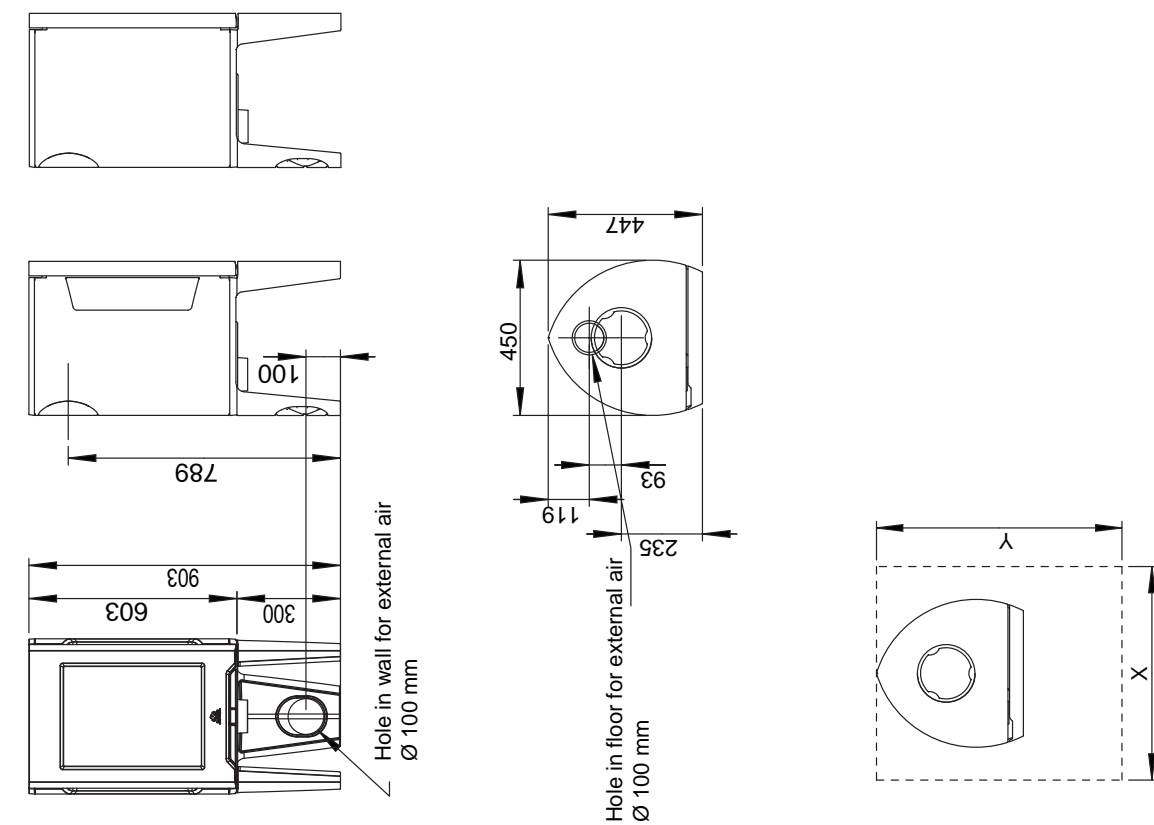


Jøtul F 162 / Jøtul F 163

Fig. 1a

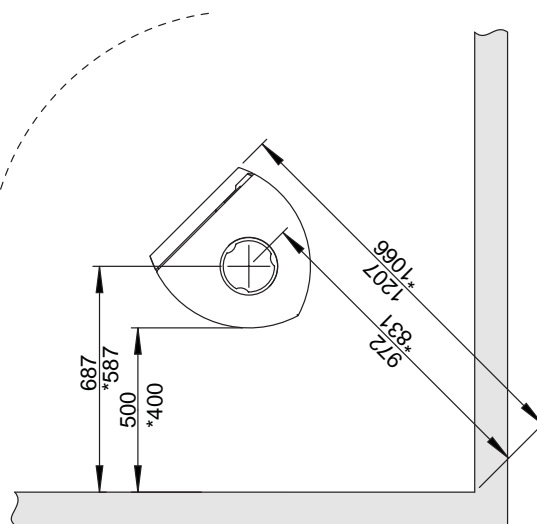
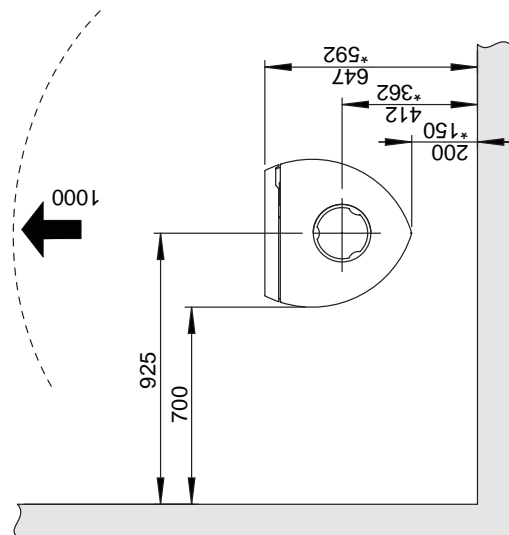


Min. measurements floor plate X,Y =
According to national standards
and regulations. See chapter 4.1

Combustible wall



Min. distance to combustible wall



* With semi-insulated chimney / covered flue pipe down towards the product.